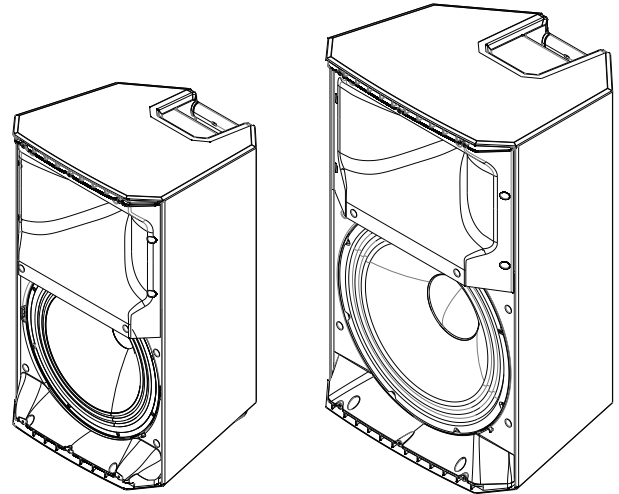


ZLX-12P and ZLX-15P Two-Way Powered Loudspeaker



- LCD display and 1-knob DSP control with presets for precise and speedy setup.
- Input level meters and independent amplifier control to ensure optimal gain structure.
- Front LED for “power on” and “limit” indication.
- Patented split-baffle design for superior driver time alignment.
- Durable composite construction with innovative hi/lo grip design for easy pole mounting.



ZLX models cut through the competition with the most complete and innovative package of features in their class—all of which work together to make it quicker and easier than ever to take control of your sound, whatever the gig. When choosing a loudspeaker, it’s always wise to ask “What’s inside the box?” Then take a listen and hear the EV difference for yourself. Featuring custom drivers housed in an innovative new cabinet design, the two compact and versatile ZLX models make EV’s renowned sound quality and rugged reliability more accessible than ever before. The only loudspeaker in its class that matches EV-engineered drivers with a custom-built Class-D amplifier module and powerful DSP. Whether pole-mounted or used as a floor monitor, ZLX delivers stunning sonic impact and intelligibility—the legendary “EV Sound” the pros trust.

Technical specifications

Model	ZLX-12P	ZLX-15P
Frequency Response:	65 Hz – 18 kHz ¹	55 Hz – 18 kHz ¹
Frequency Range:	50 Hz – 20 kHz ¹	42 Hz – 20 kHz ¹
Maximum SPL:	126 dB	127 dB

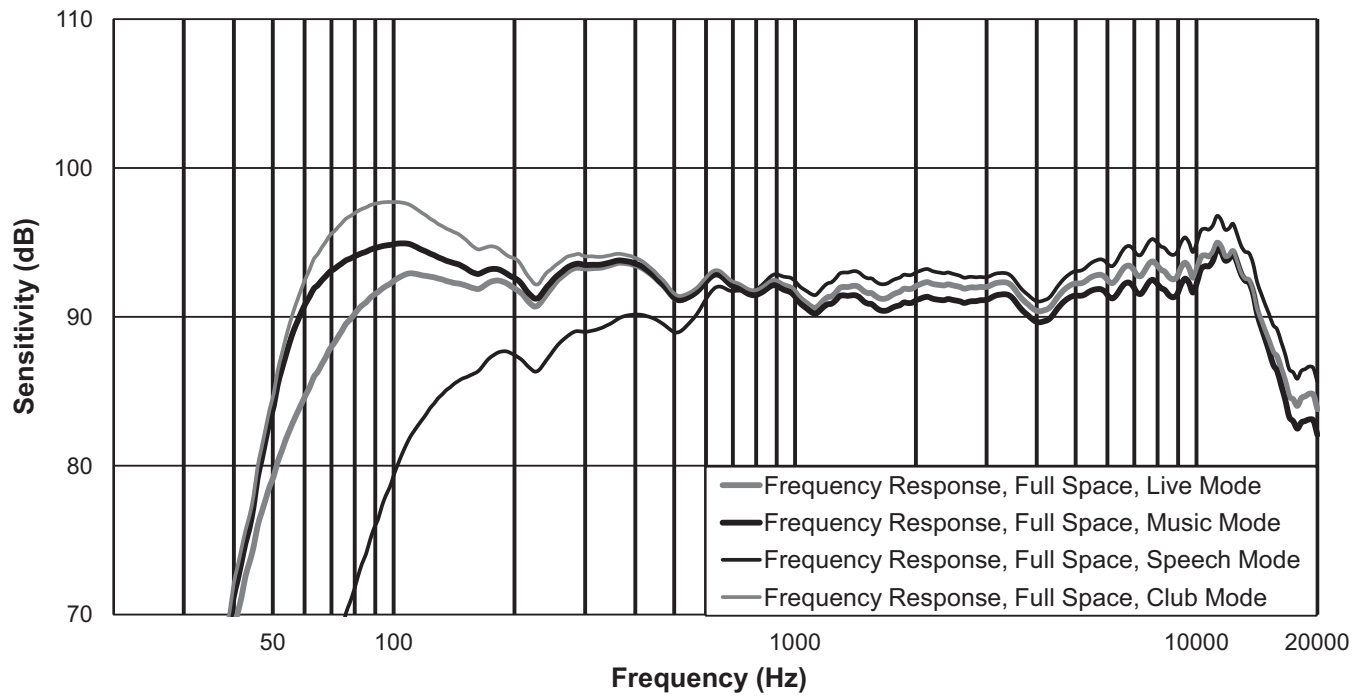
Coverage (Hort. x Vert.):	90° x 60°	
Power Rating:	1000 Watts	
LF Transducer:	EVS-12K, 300 mm (12 in) Woofer	EVS-15L, 380 mm (15 in) Woofer
HF Transducer:	DH-1K	
Connectors:	(2) XLR/TRS Combo Jack, (1) 3.5 mm Input, and (1) XLR link Output	
Enclosure:	Polypropylene	
Grille:	18 Gauge Steel with Black Powder Coat	
Dimensions (H x W x D):	610 mm x 356 mm x 356 mm (24 in x 14 in x 14 in)	685 mm x 423 mm x 383 mm (27 in x 17 in x 15 in)
Net Weight:	15.6 kg (34.3 lbs)	17.3 kg (38.0 lbs)
Shipping Weight:	19.0 kg (41.8 lbs)	23.0 kg (50.7 lbs)

1. Using MUSIC DSP preset.

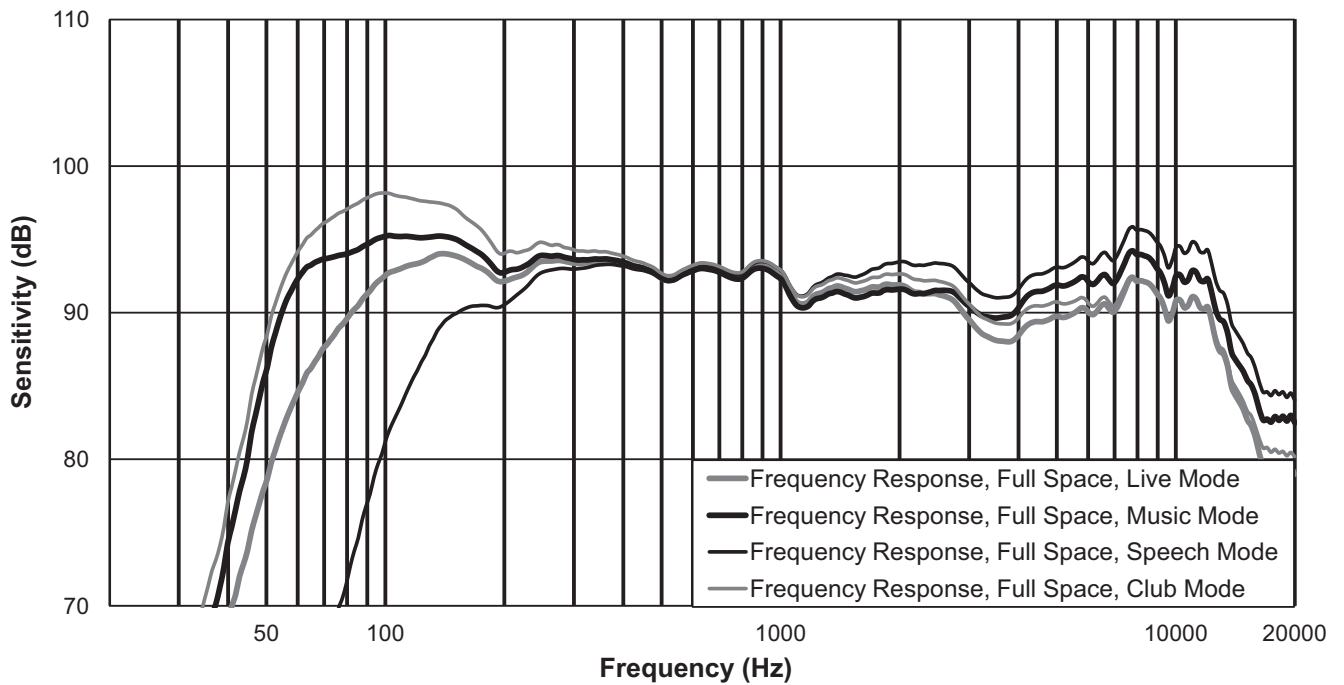
System overview

Frequency Response:
ZLX-12P

2 | ZLX-12P and ZLX-15P Two-Way Powered Loudspeaker



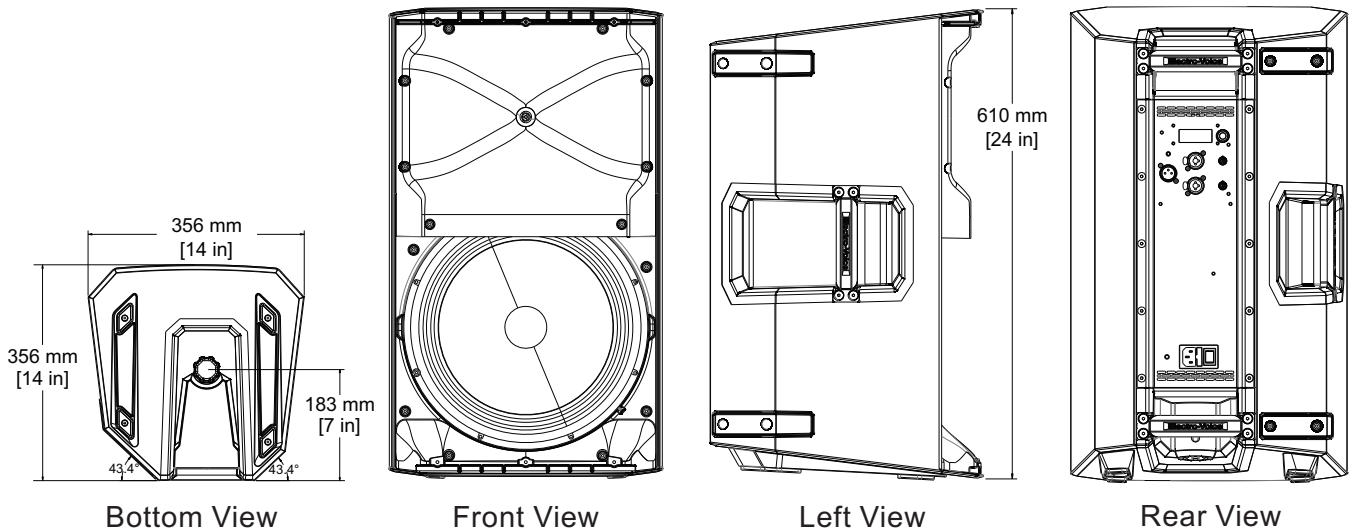
ZLX-15P



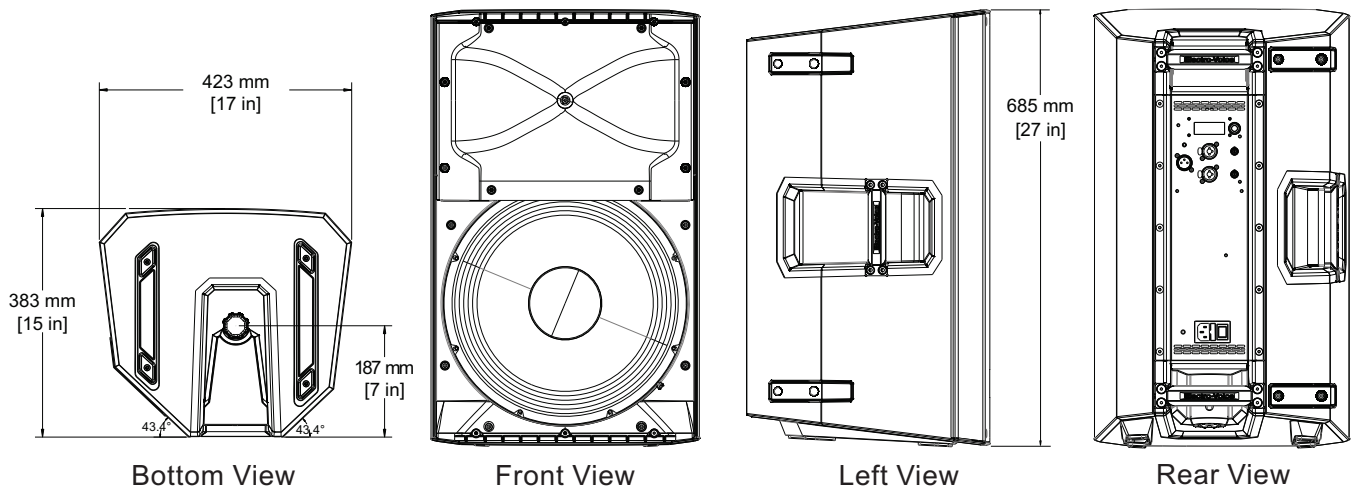
Dimension Drawings:

ZLX-12P

3 | ZLX-12P and ZLX-15P Two-Way Powered Loudspeaker



ZLX-15P



Notice

This loudspeaker should be suspended overhead only in accordance with the procedures and limitations specified in the User's Manual and possible manual update notices. This system should be suspended with certified rigging hardware by an authorized rigging professional and in compliance with local, state, and federal overhead suspension ordinances.

Ordering information

ZLX-12P-US 12" Two-Way Powered Loudspeaker

120V

Order number **ZLX-12P-US**

ZLX-12P-EU 12" Two-Way Powered Loudspeaker

240V

Order number **ZLX-12P-EU**

ZLX-15P-US 15" Two-Way Powered Loudspeaker

120V

Order number **ZLX-15P-US**

ZLX-15P-EU 15" Two-Way Powered Loudspeaker

240V

Order number **ZLX-15P-EU**

Accessories

ZLX-BRKT ZLX Wall Mount Bracket

Order number **ZLX-BRKT**

ZLX-12-CVR ZLX Padded Cover for ZLX-12/P-EV Logo

Order number **ZLX-12-CVR**

ZLX-15-CVR ZLX Padded Cover for ZLX-15/P-EV Logo

Order number **ZLX-15-CVR**

4 | ZLX-12P and ZLX-15P Two-Way Powered Loudspeaker

Represented by:

Americas:

Bosch Security Systems, Inc.
12000 Portland Avenue South
Burnsville MN 55337
USA

www.electrovoice.com